

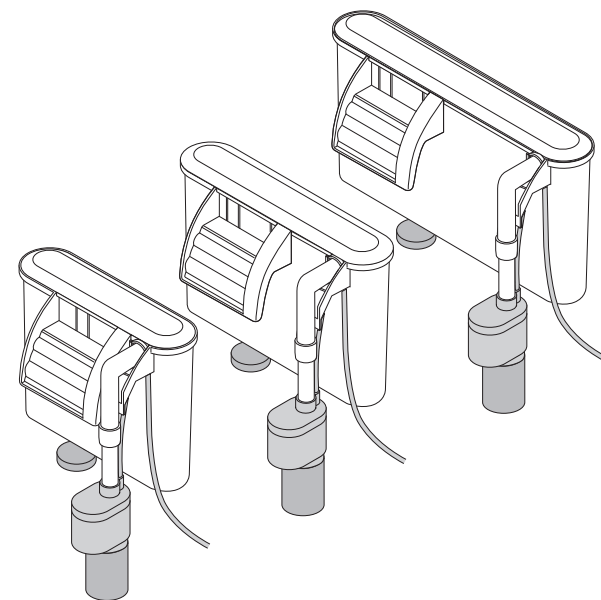
# MARINA®

## Slim Filter

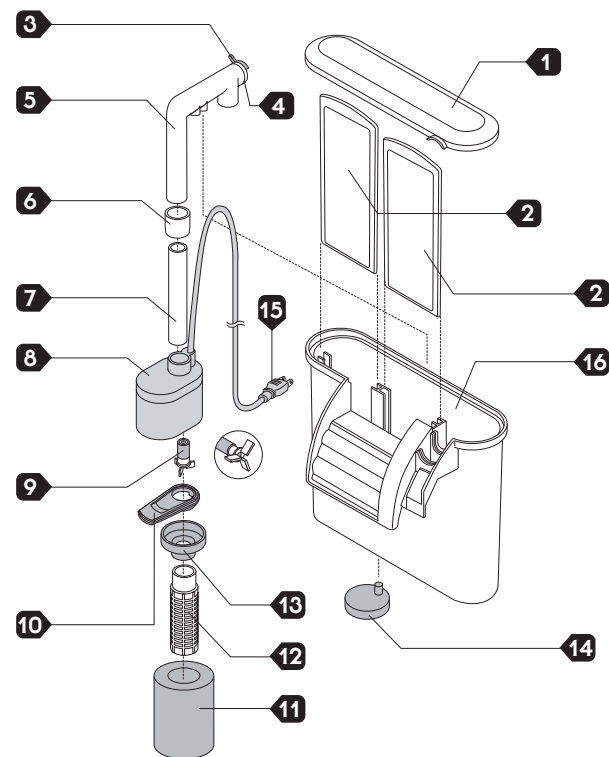
Power Filter  
Instruction Manual

Filtre à moteur  
Mode d'emploi

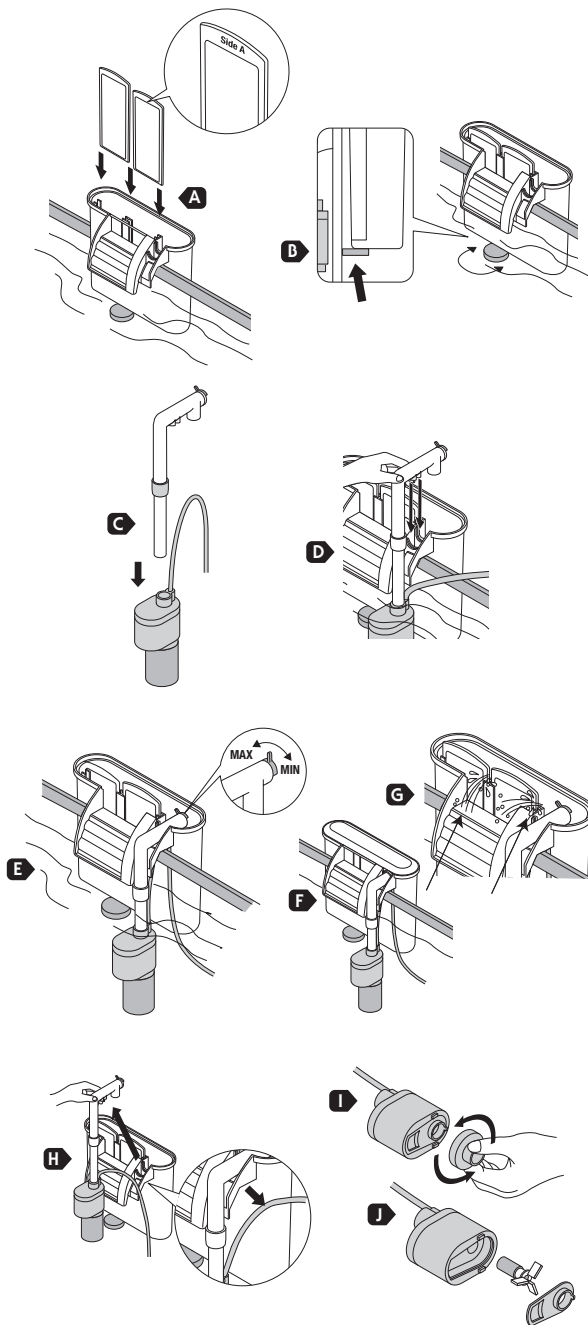
Filtro mecánico  
Manual de instrucciones



### Parts Diagram/Schéma des pièces/Diagrama de piezas



- |                      |                                     |                         |
|----------------------|-------------------------------------|-------------------------|
| 1. Cover             | 1. Couvercle                        | 1. Tapa                 |
| 2. Filter Cartridges | 2. Cartouches filtrantes            | 2. Cartucho filtrantes  |
| 3. Flow Control      | 3. Régulateur de débit              | 3. Control de flujo     |
| 4. O Ring            | 4. Anneau d'étanchéité              | 4. Junta tórica         |
| 5. U Tube            | 5. Tube en U                        | 5. Tubo en U            |
| 6. Tube connector    | 6. Raccord du tube                  | 6. Conector del tubo    |
| 7. Intake Tube       | 7. Tube d'entrée d'eau              | 7. Tubo de alimentación |
| 8. Motor             | 8. Moteur                           | 8. Motor                |
| 9. Impeller          | 9. Couronne mobile                  | 9. Impulsor             |
| 10. Impeller Cover   | 10. Couvercle de la couronne mobile | 10. Tapa del impulsor   |
| 11. Strainer Sponge  | 11. Éponge de la crépine            | 11. Esponja del filtro  |
| 12. Strainer         | 12. Crépine                         | 12. Filtro              |
| 13. Motor Cover      | 13. Couvercle du moteur             | 13. Tapa del motor      |
| 14. Leveling Knob    | 14. Bouton de mise à niveau         | 14. Perilla niveladora  |
| 15. Plug             | 15. Fiche                           | 15. Enchufe             |
| 16. Filter Case      | 16. Boîtier du filtre               | 16. Caja del filtro     |



### CONGRATULATIONS

On your purchase of a Marina Slim filter. For a complete understanding of the filter's operation and capabilities, please read carefully and follow these instructions. Be certain to read the **SAFETY INSTRUCTIONS** before using your filter.

## IMPORTANT SAFETY INSTRUCTIONS

**WARNING** – To guard against injury, basic safety precautions should be observed, including the following:

### 1. READ AND FOLLOW ALL SAFETY INSTRUCTIONS

and all the important notices on the appliance before use, failure to do so may result in loss of fish life and/or damage to this appliance.

2. **DANGER** – To avoid possible electric shock, special care should be taken since water is employed in the use of aquarium equipment. For each of the following situations, do not attempt repairs yourself; return the appliance to an authorized service facility for service or discard the appliance.

A. If the appliance shows any sign of abnormal water leakage or if RCD (or GFCI- Ground Fault Current Interrupter) switches off disconnect the power supply cord from mains and remove the filter pump from water.

B. Carefully examine the appliance after installation. It should not be plugged if there is water on parts not intended to be wet.

C. Do not operate any appliance if it has a damaged cord or plug, or if it is malfunctioning or it is dropped or damaged in any manner. The power cord of this appliance cannot be replaced; if the cord is damaged, the appliance should be discarded. Never cut the cord.

D. To avoid the possibility of the appliance plug or receptacle getting wet, position the appliance to one side of a wall mounted receptacle to prevent water from dripping onto the receptacle or plug. A "drip loop" (see illustration 1) should be arranged by the user for the cord connecting appliance to a receptacle. The "drip loop" is that part of the cord below the level of the receptacle or the connector if an extension cord is used, to prevent water travelling along the cord and coming in contact with the receptacle. If the plug or receptacle does get wet, DON'T unplug the cord. Disconnect the fuse or circuit breaker that supplies power to the appliance. Then unplug and examine for presence of water in receptacle.

3. **WARNING** – Close supervision is necessary when any appliance is used by or near children. This appliance is not intended for use by persons (including children) with reduced physical, sensory or mental capabilities, or lack of experience and knowledge, unless they have been given supervision or instruction concerning use of the appliance by a person responsible for their safety. Children should be supervised to ensure that they do not play with the appliance.

4. To avoid injury, do not touch moving parts or hot parts.

5. **CAUTION** – Always unplug or disconnect all appliances in the aquarium from electricity supply before placing hands in water, before putting on or taking off parts and whilst the equipment is being installed, maintained or handled. When inserting or removing the filter pump from the water, always pull out the main electricity plug. Never yank cord to pull plug from outlet. Grasp the plug and pull to disconnect. Always unplug an appliance from an outlet when not in use.

6. This is an aquarium filter pump. Do not use this filter pump for other than intended use (i.e.: do not use in swimming pools, bathrooms, etc.). The use of attachments not recommended or sold by the appliance manufacturer may cause an unsafe condition.

- Do not use this filter pump in swimming pools or other situations where people are immersed.
- This filter pump is suitable for use in water temperatures up to 35 °C.
- Do not use this filter pump with inflammable or drinkable liquids.

7. This filter pump is suitable for Indoor Household Use Only.

8. Do not install or store the appliance where it will be exposed to the weather or to temperatures below freezing.

9. Make sure that the filter pump is securely installed before operating it. Do not allow pump to run dry. The filter pump must be immersed in water completely. This filter pump must never operate outside of water.

10. If an extension cord is necessary, a cord with proper rating should be used. A cord rated for less amperes or watts than the appliance rating, may overheat. Care should be taken to arrange the cord so that it will not be tripped over or pulled.

11. For the complete use and understanding of this product it is recommended that this manual is thoroughly read and understood. Failure to do so may result in damage to this product.

12. This appliance has a polarized plug (one blade is wider than the other). As a safety feature, this plug will fit in a polarized outlet only one way. If the plug does not fit fully in the outlet, reverse the plug. If it still does not fit, contact a qualified electrician. Never use with an extension cord unless plug can be fully inserted. Do not attempt to defeat this safety feature.

## SAVE THESE INSTRUCTIONS

### INSTALLATION AND USE

**WARNING:** Disconnect the plug of all aquarium appliances before placing your hands into the aquarium water and / or performing any maintenance of any kind. Do not plug filter in until setup is complete and aquarium is filled with water.

If air pump is used for aeration, keep filter intake away from air bubbles.

### SET-UP AND USAGE

1. Rinse filter case, tubes, filter cartridges, strainer and strainer sponge.
2. Insert filter cartridges into grooves. "Side A" should face front. (ill.A)
3. With the unit in place, level the filter using the levelling knob. (ill.B)
4. Connect intake tube to motor, strainer and strainer sponge. (ill.C)
5. Fix the assembled tubes into the grooves. (ill.D). Make sure that the cord is not trapped between the tube and unit.
6. Adjust tube so the strainer sponge doesn't touch gravel.
7. Set flow control to max, then adjust output to desired flow. (ill.E)
8. Be sure that the water level is above the top of motor before turning on the power. (ill.F)
9. Place lid after checking and adjusting water flow.

### MAINTENANCE

**WARNING:** ALWAYS DISCONNECT APPLIANCES IN THE AQUARIUM FROM THE ELECTRICAL SUPPLY BEFORE PLACING HANDS IN THE WATER, BEFORE PUTTING ON OR TAKING OFF PARTS, AND WHENEVER THE FILTER EQUIPMENT IS BEING INSTALLED, MAINTAINED OR HANDLED.

Following a routine maintenance schedule will result in a healthier aquarium and extend the life of the filter. For best results please follow our maintenance schedule recommendations.

### REPLACING FILTER CARTRIDGES

For best results, replace 1-2 filter cartridges every two (2) to four (4) weeks. Register online for a cartridge change reminder at [www.hagen.com/timeforchange](http://www.hagen.com/timeforchange)

**Note: It is important not to change all cartridges at the same time to ensure proper biological filtration.**

1. Turn power off and remove filter cartridges.
2. Rinse filter cartridges thoroughly with tank water and put back or replace. **Important: Do not use tap water as this will kill the beneficial bacteria in your cartridge. NEVER use soap or detergents as these products could be harmful to the inhabitants of your aquarium.**
3. Replace filter cartridges when water starts to overflow as illustrated. (ill.G)

### MOTOR CLEANING

For best results, clean impeller and impeller well every three (3) to six (6) months. Replace impeller yearly for optimal performance and to prevent wearing.

It is recommended that you remove the motor and inspect the impeller as part of your routine maintenance. Keeping the impeller clean lengthens its life and the life of the motor.

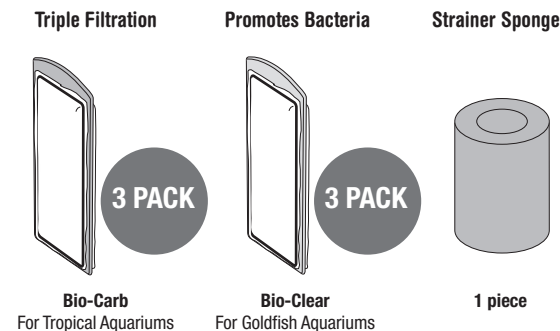
1. Turn power off and remove motor from unit. (ill.H)
2. Remove tube and strainer, and then twist off motor cover. (ill.I)
3. Remove impeller cover, and then pull out impeller. (ill.J)
4. Rinse impeller under water and wash off any slimy build-up that has accumulated on the impeller and in the impeller well and reassemble. **Important: DO NOT use chemical cleaners.**
5. Use a Marina cleaning brush (#10683-sold separately) to clean motor.

### CLEANING UNIT AND TUBE

Clean every three (3) to six (6) months.

1. Turn power off and remove lid, tubes and filter cartridges. Wipe unit with damp cloth.
2. Rinse inside the tubes or clean with a Marina cleaning brush.
3. Rinse and clean strainer sponge regularly.

### AVAILABLE MEDIA



### 2 YEAR WARRANTY

The Marina Slim Filter is guaranteed against defects in material or workmanship under normal aquarium usage and service for 2 years. We offer a 2 year guarantee on all non-replaceable parts which means that the filter will be repaired or replaced at the manufacturer's discretion, free of charge, when the complete pump is returned with proof of purchase and postage paid. This warranty does not apply to any filter that has been subjected to misuse, negligence, or tampering. No liability is assumed with respect to loss or damage to livestock or personal property irrespective of the cause thereof.

### FOR AUTHORIZED GUARANTEE REPAIR SERVICE:

To register your warranty on line or for more information on this and other products go to [www.hagen.com](http://www.hagen.com).

For Authorized Warranty Service please return (well packaged and by registered post) to the address below enclosing dated receipt and reason for return.

If you have any queries or comments about the operation of this product, please let us try to help you before you return the product to your retailer. Most queries can be handled promptly with a phone call. When you call (or write), please have all relevant information such as model number, age of product, details of aquarium set-up, as well as the nature of the problem.

**CANADA:** Hagen Industries, Consumer Repair, 3235 Guénette, Montréal QC H4S 1N2

**U.S.A.:** Rolf C. Hagen (U.S.A.) Corp., 305 Forbes Blvd, Mansfield, MA. 02048

### CALL US ON OUR TOLL-FREE NUMBER:

**Canada only:** 1-800-554-2436 between 9:00 a.m. and 4:30 p.m. Eastern Standard Time. Ask for Customer Service.

**U.S. only:** 1-800-724-2436 between 9:00 a.m. and 4:00 p.m. Eastern Standard Time. Ask for Customer Service.

S10/S15/S20

